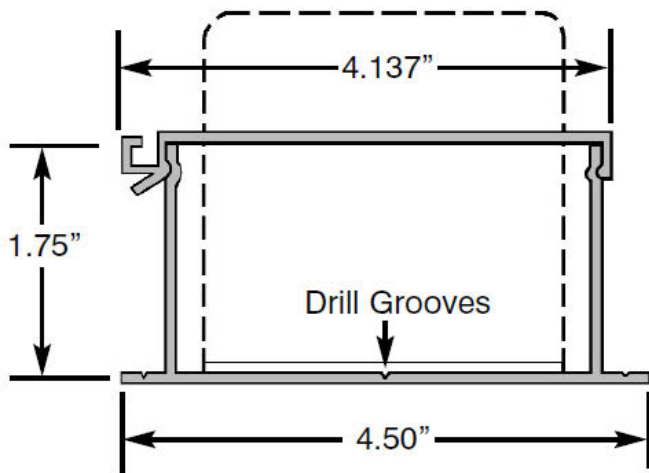


Ballast Wireway



Our Small Ballast Wireway has been revised to make it taller and wider than it was originally, to give more room for wiring around the ballast. Note the new dimensions and features illustrated.

INTERMEDIATE WIREWAY EXTRUSION

INTERMEDIATE WIREWAY EXTRUSIONS

When any sign is longer or taller than the longest lamps, intermediate wireways are necessary to overlap the lamp sockets to avoid dark areas, and to enclose the wiring to meet U.L. requirements. The ABC INTERMEDIATE WIREWAY is a small, light weight extruded channel, with a snap-on cover. The cover can be removed by using a tool in a twisting motion to pry the cover open.

By using two wireways side by side, set any given distance apart, any amount of lamp overlap is possible, to fit any cabinet size. These wireways are neat, easily cut to length, create no shadow, do not require painting and save a lot of custom fabrication labor.

INTERMEDIATE WIREWAY FOR OVERLAPPING LAMPS

